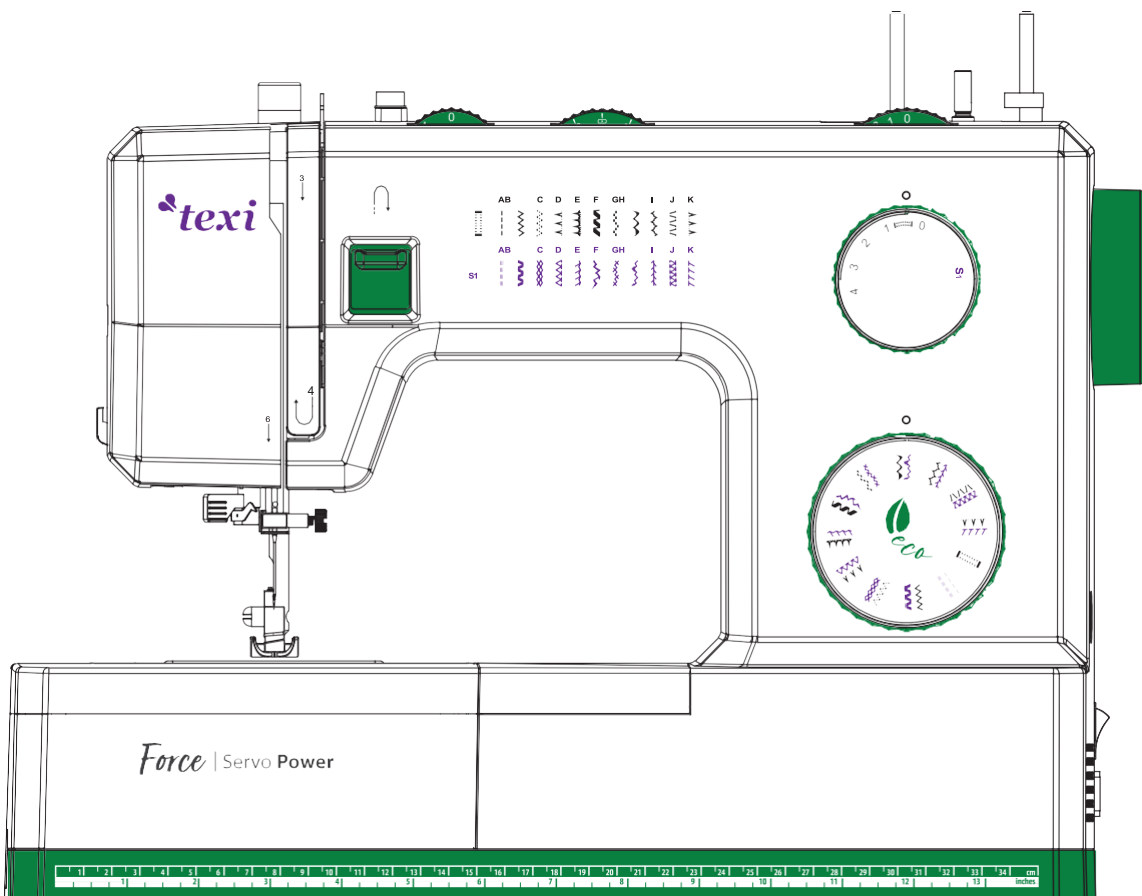


texi®

Culture of Sewing



Model Texi Force



IMPORTANT SAFETY INSTRUCTIONS

IMPORTANT SAFETY INSTRUCTIONS

When using an electrical appliance, basic safety precautions should always be followed, including the following:

Read all instructions before using this household sewing machine. Keep the instructions in a suitable place close to the machine. Make sure to hand them over if the machine is given to a third party.

DANGER - To reduce the risk of electric shock :

A sewing machine should never be left unattended when plugged in. Always unplug this sewing machine from the electric outlet immediately after using and before cleaning, removing covers, lubricating or when making any other user servicing adjustments mentioned in the instruction manual.

WARNING - To reduce the risk of burns, fire, electric shock, or injury to person :

- Do not allow to be used as a toy. Close attention is necessary when this sewing machine is used by or near children.
- Use this sewing machine only for its intended use as described in this manual. Use only attachments recommended by the manufacturer as contained in this manual.
- Never operate this sewing machine if it has a damaged cord or plug, if it is not working properly, if it has been dropped or damaged, or dropped into water. Return the sewing machine to the nearest authorized dealer or service center for examination, repair, electrical or mechanical adjustment.
- Never operate the sewing machine with any air openings blocked. Keep ventilation openings of the sewing machine and foot control free from the accumulation of lint, dust, and loose cloth.
- Keep fingers away from all moving parts. Special care is required around the sewing machine needle.
- Always use the proper needle plate. The wrong plate can cause the needle to break.
- Do not use bent needles.
- Do not pull or push fabric while stitching. It may deflect the needle causing it to break.
- Switch the sewing machine off ("O") when making any adjustment in the needle area, such as threading needle, changing needle, threading bobbin, or changing presser foot, etc.
- Never drop or insert any object into any opening.
- Do not use outdoors.
- Do not operate where aerosol (spray) products are being used or where oxygen is being administered.
- To disconnect, turn all controls to the off ("O") position, then remove plug from outlet.
- Do not unplug by pulling on cord. To unplug, grasp the plug, not the cord.
- The foot control is used to operate the machine. Avoid placing other objects on the foot control.
- Do not use the machine if it is wet.
- If the LED lamp is damaged or broken, it must be replaced by the manufacturer or its service agent or a similarly qualified person, in order to avoid a hazard.
- If the supply cord connected with the foot control is damaged, it must be replaced by the manufacturer or its service agent or a similarly qualified person, in order to avoid a hazard.
- This sewing machine is provided with double insulation. Use only identical replacement parts. See instructions for Servicing of Double-Insulated Appliances.

SAVE THESE INSTRUCTIONS

For Europe only:

This appliance can be used by children aged from 8 years and above and persons with reduced physical, sensory or mental capabilities or lack of experience and knowledge if they have been given supervision or instruction concerning use of the appliance in a safe way and understand the hazards involved. Children shall not play with the appliance. Cleaning and user maintenance shall not be made by children without supervision.

The noise level under normal operating conditions is less than 75dB(A).

For outside Europe :

This sewing machine is not intended for use by persons (including children) with reduced physical, sensory or mental capabilities, or lack of experience and knowledge, unless they have been given supervision or instruction concerning use of the sewing machine by a person responsible for their safety. Children should be supervised to ensure that they do not play with the sewing machine.

The noise level under normal operating conditions is less than 75dB(A).

Congratulations !

As the owner of a new sewing machine, you are about to begin an exciting adventure in creativity. From the moment you first use your machine, you will know you are sewing on one of the easiest to use sewing machines ever made.

May we recommend that, before you start to use your sewing machine, you discover the many features and the ease of operation by going through this instruction book, step by step, seated at your machine.

To ensure that you are always provided with the most modern sewing capabilities, the manufacturer reserves the right to change the appearance, design or accessories of this sewing machine when considered necessary.

List of Contents

Machine Basics

Principle Parts of the Machine.....	23
Connecting Machine to Power Source.....	24
Two Step Presser Foot Lifter/Adjusting Presser Foot Pressure	24
Accessories.....	25

Threading the Machine

Winding the Bobbin.....	25
Inserting the Bobbin	26
Threading the Upper Thread.....	26
Automatic Needle Threader	27
Raising the Bobbin Thread.....	27
Thread Tension.....	28

Sewing

How to Choose Your Pattern.....	28
Three Needle Position Dial.....	29
Stitch Width Dial & Stitch Length Dial.....	29
Sewing Straight Stitch.....	30
Reverse Sewing/Removing the Work/Cutting the Thread.....	30
Choosing Stretch Stitch Patterns	31
Blind Hem.....	31
Sew 1-step Buttonholes	32
Left and Right Side Balance for Buttonhole.....	32
Sewing on Buttons.....	33

General Information

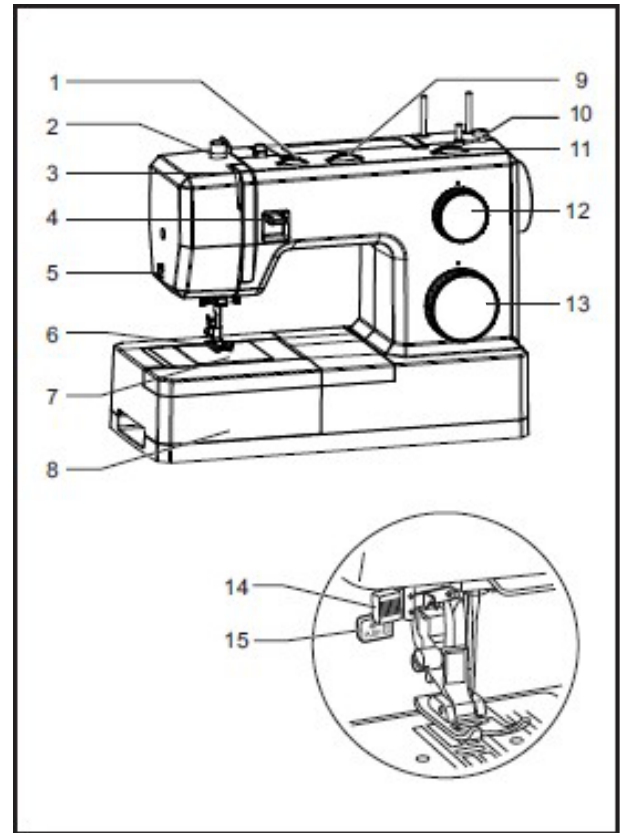
Installing the Accessory box.....	33
Attaching the Presser Foot Shank.....	34
Needle/Fabric/Thread Chart	34
How To Drop Feed Dog	35

Maintenance and Troubleshooting

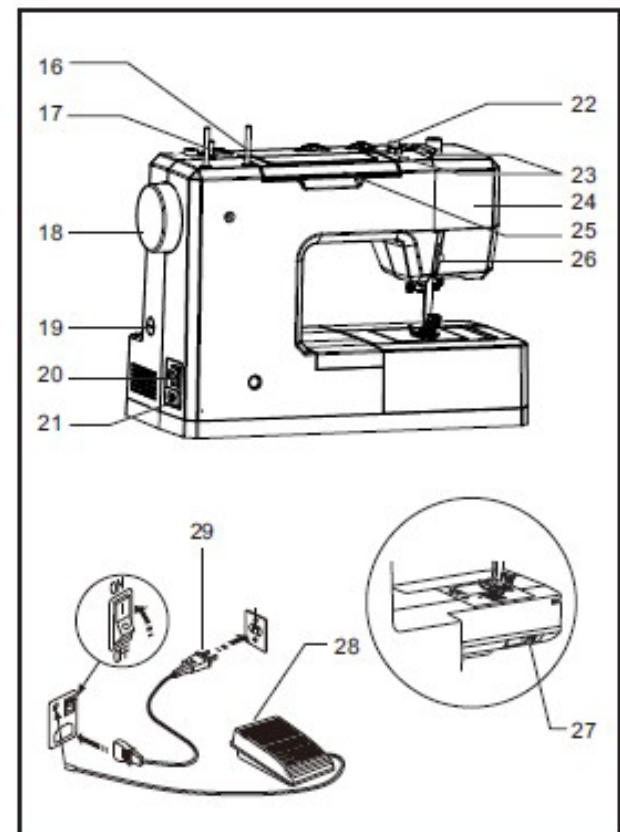
Inserting & Changing Needle.....	35
Troubleshooting Guide	36

Principal Parts of the Machine

1. Thread tension dial
2. Presser foot pressure adjustment
3. Thread take-up lever
4. Reverse sewing lever
5. Thread cutter
6. Presser foot
7. Needle plate cover
8. Accessory box
9. Three needle position dial
10. Bobbin stopper
11. Stitch width dial
12. Stitch length dial
13. Pattern selector dial
14. Automatic threader
15. One-step buttonhole lever



16. Horizontal spool pin
17. Bobbin winding spindle
18. Handwheel
19. Buttonhole stitch balance adjustment slot
20. Power and light switch
21. Main plug socket
22. Bobbin thread guide
23. Upper thread guide
24. Face plate
25. Handle
26. Presser foot lifter
27. Drop feed control
28. Foot speed control
29. Power cord



Connecting Machine to Power Source

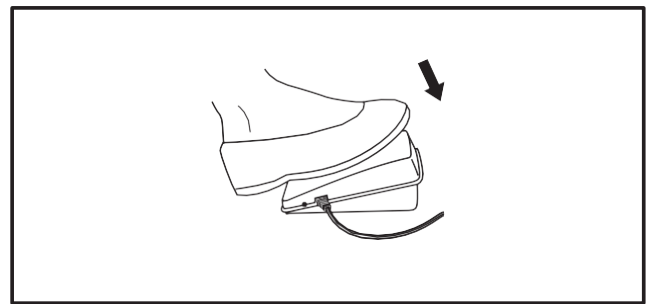
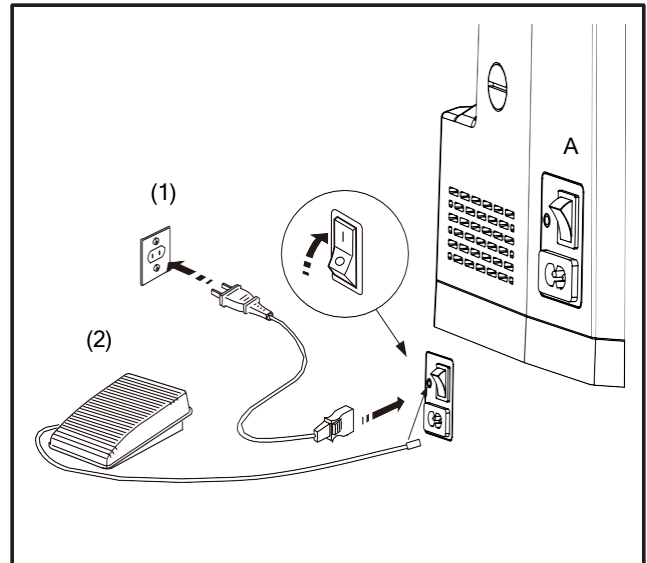
Connect the machine to a power source as illustrated.(1)

- ⦿ Attention:
Unplug power cord when machine is not in use.

Foot control
The foot control pedal regulates the sewing speed. (2)

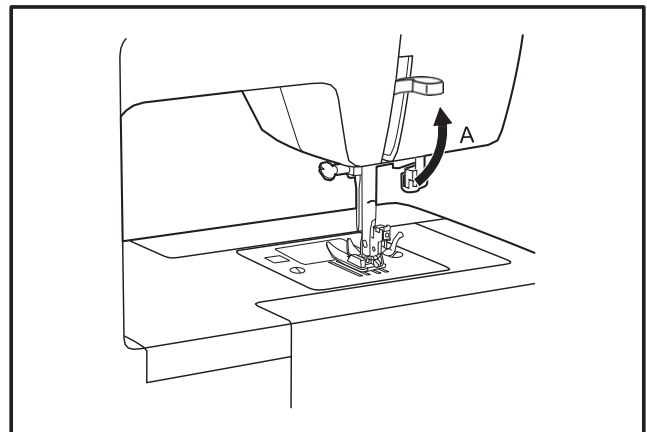
- ⦿ Attention:
Consult a qualified electrician if in doubt of how to connect machine to power source.
Unplug power cord when machine is not in use.

Sewing light
Press main switch (A) to "I" for power and light.



Two Step Presser Foot Lifter

When sewing several layers or thick fabrics, the presser foot can be raised to a higher position for easy positioning of the work.(A)

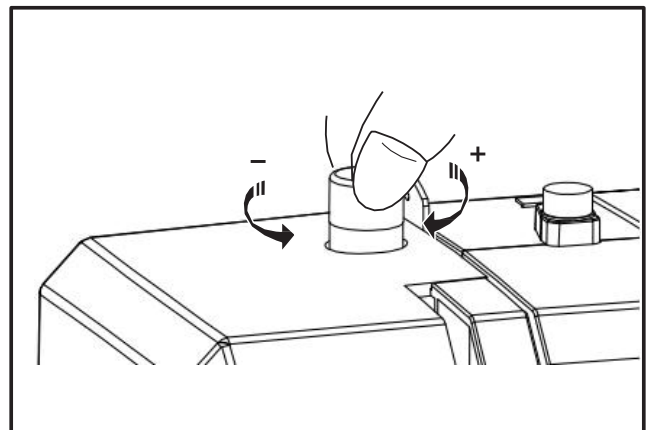


Adjusting Presser Foot Pressure

The presser foot pressure of the machine has been pre-set and requires no particular readjustment according to the type of fabric (light-or-heavy weight).

However, if you need to adjust the presser foot pressure, you may turn the presser adjusting screw.

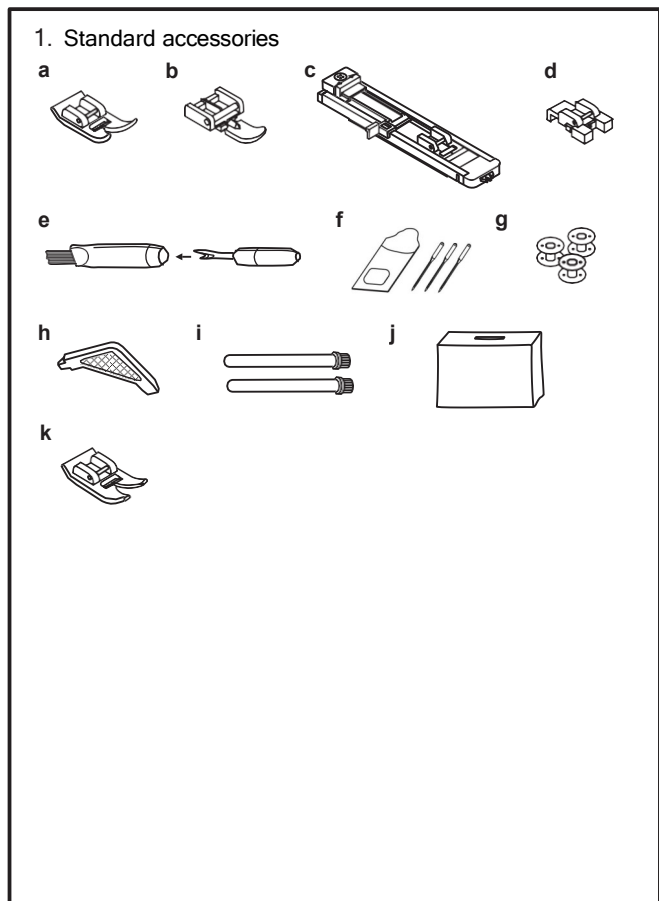
For sewing very thin fabric, loosen the pressure by turning the screw counter clockwise, and for heavy fabric, tighten by turning it clockwise.



Accessories

Standard accessories

- a. All purpose foot
- b. Zipper foot
- c. Buttonhole foot
- d. Button sewing foot
- e. Seam ripper/brush
- f. Pack of needles
- g. Bobbin(3x)
- h. L-screwdriver
- i. Auxiliary Spool Pin
- j. Soft cover
- k. Anti-skipping foot

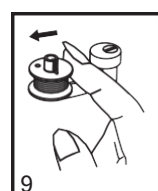
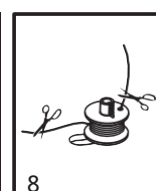
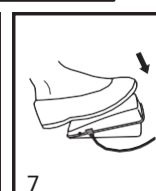
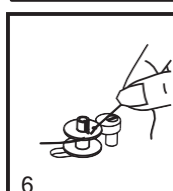
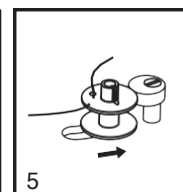
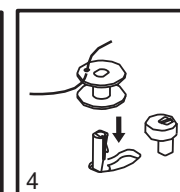
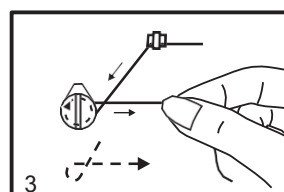
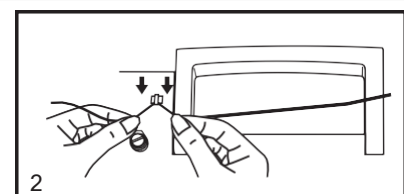
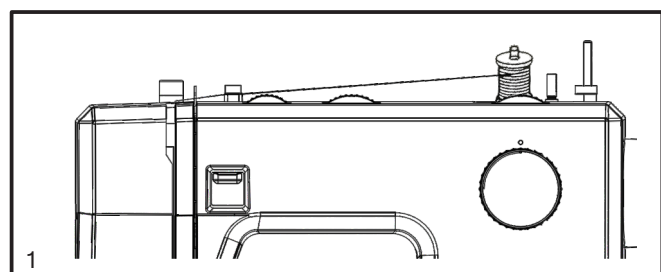


Winding the Bobbin

- Place thread and corresponding spool holder on to spool pin.(1)
- Snap thread into thread guide.(2)
- Wind thread clockwise around bobbin winder tension discs. (3)
- Thread bobbin as illustrated and place on spindle.(4)
- Push bobbin spindle to right.(5)
- Hold thread end.(6)
- Step on foot control pedal.(7)
- Cut thread.(8)
- Push bobbin spindle to left (9) and remove.

Please Note:

When the bobbin winder spindle is in "bobbin winding" position, the machine will not sew and the handwheel turn. To start sewing, push the bobbin winder spindle to the left (sewing position).



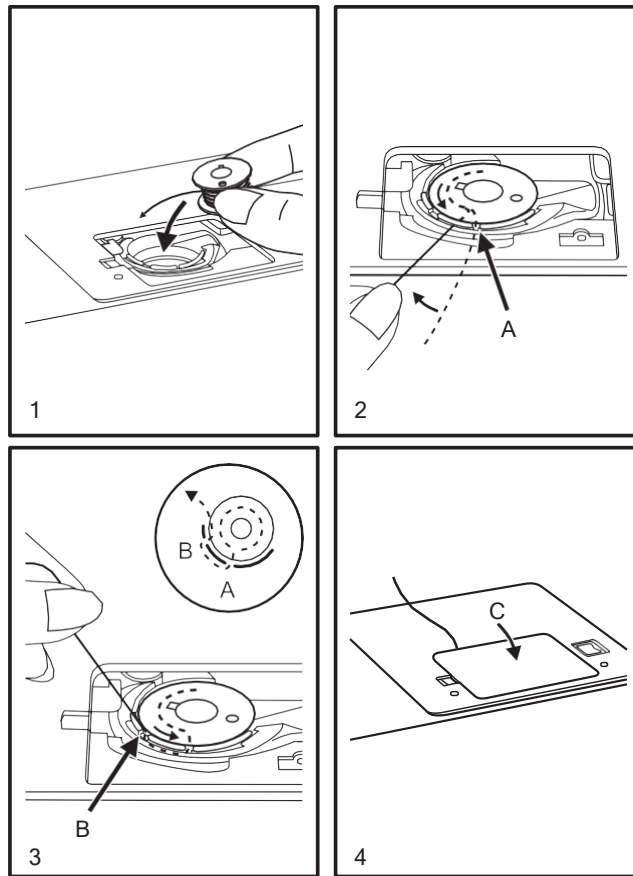
Inserting the Bobbin

When inserting or removing the bobbin, the needle must be fully raised.

1. Insert the bobbin in the bobbin case with the thread running counterclockwise direction (arrow)
2. Pull the thread trough the slit (A)
3. Draw the thread clockwise until it slips into the notch (B).
4. Pull out about 15 cm (6 inches) of thread and attach the bobbin cover plate.(C)

⊙ Attention:

Turn power switch to off ("O") before inserting or removing the bobbin.

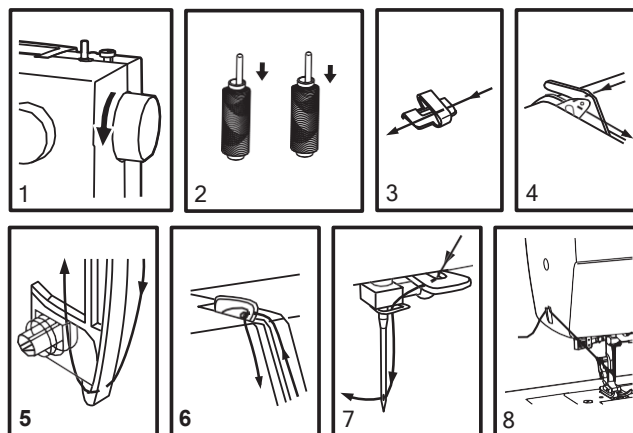
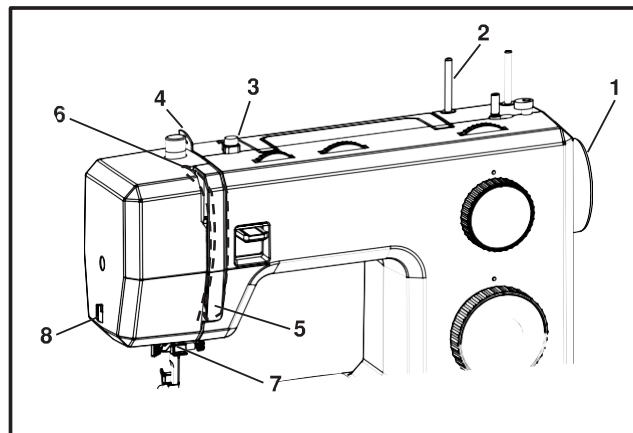


Threading the Upper Thread

⊙ This is a simple operation but it is important to carry out correctly as by not doing so several sewing problems could result.

- Start by raising the needle to its highest point (1), and continue turning the handwheel counterclockwise until the needle just slightly begins to descend. Raise the presser foot to release the tension discs.
- **Note:** For safety, it is strongly suggested you turn off the power before threading.
- Place the spool of thread on the spool pin.(2)
- Draw thread from spool through the upper thread guide(3) and pulling thread through pre-tension spring as illustrated. (4)

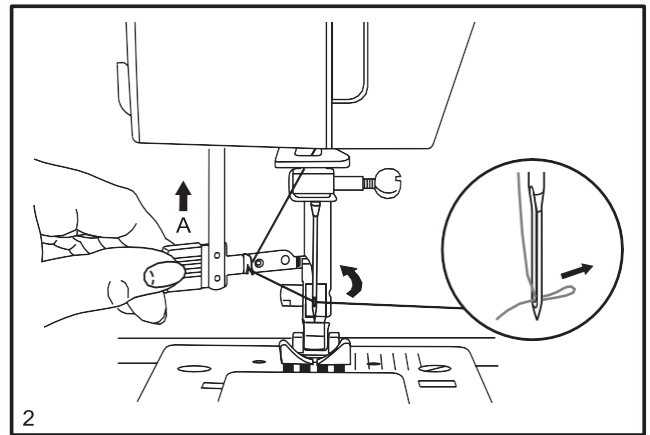
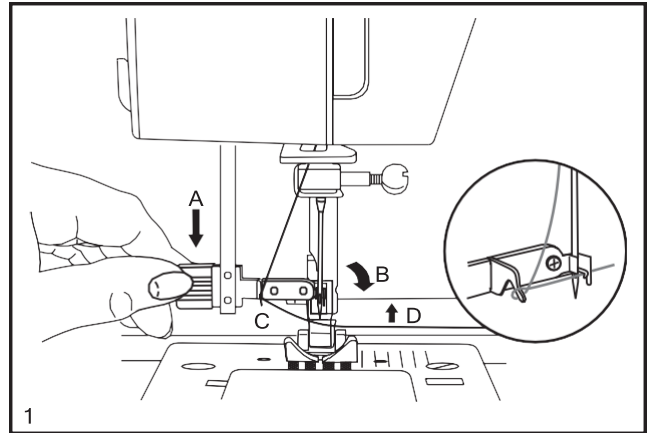
- Thread tension module by leading thread down right channel and up left channel. (5) During this process it is helpful to hold the thread between the spool and thread guide.
- At the top of this movement pass thread from right to left through the slotted eye of the take-up lever and then downwards again.(6)
- Now pass the thread behind the horizontal thread guide, and then behind the thin wire needle clamp guide (7) and then down to the needle which should be threaded from front to back.
- Pull about 6-8 inches of thread to the rear beyond the needle eye. Trim thread to length with built in thread cutter.(8)



Automatic Needle Threader

- Raise the needle to its highest position.
- Press lever (A) down as far as it will go.
- The threader automatically swings to the threading position.(B)
- Pass thread around thread guide.(C)
- Pass the thread in front of the needle around the hook(D) from bottom to top.
- Release lever (A).
- Pull the thread through the needle eye.

⊙ Attention:
Turn power switch to off ("O")!

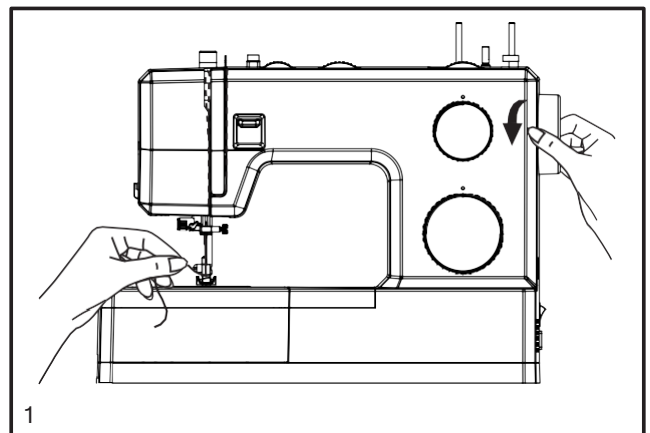


Raising the Bobbin Thread

Hold the upper thread with the left hand. Turn the handwheel (1) towards you (counterclockwise) lowering, then raising needle.

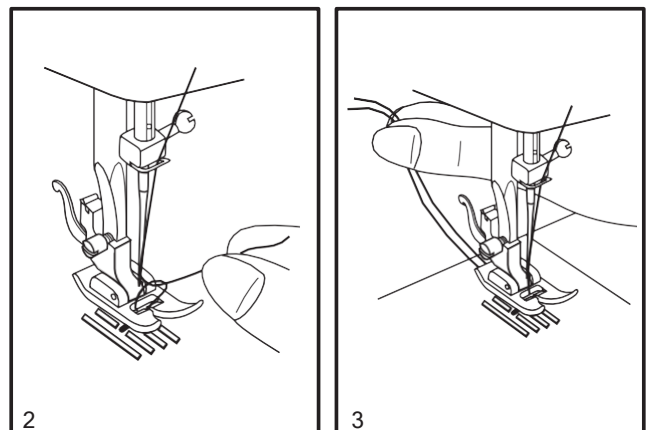
Note:

If it is difficult to raise the bobbin thread, check to make sure the thread is not trapped by the hinged cover or the removable extension table.



Gently pull on the upper thread to bring the bobbin thread up through the needle plate hole.(2)

Lay both threads to the back under the presser foot.(3)

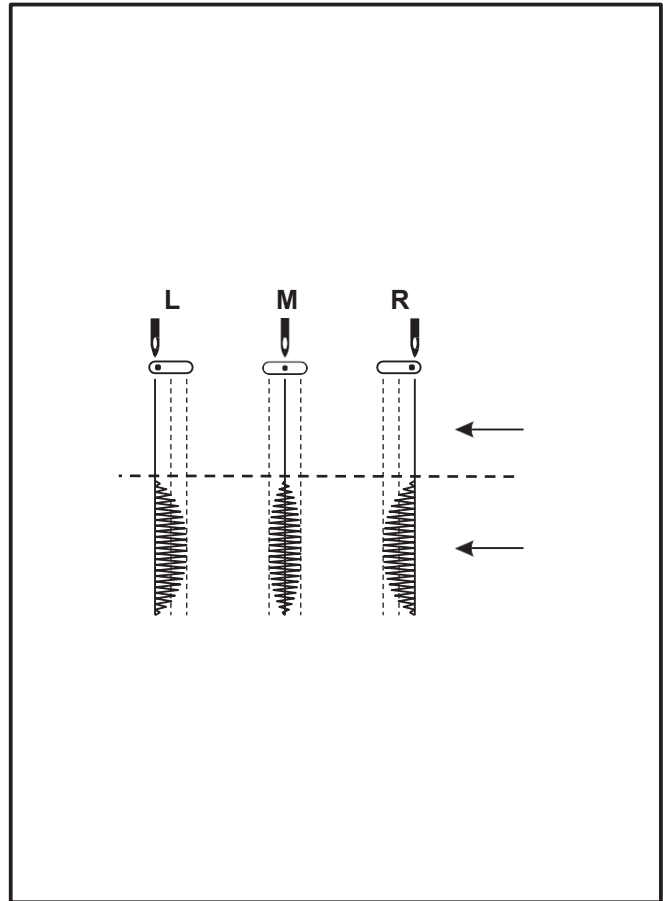


Three Needle Position Dial

The needle position can be altered with the "Three needle position dial". For normal work, the needle position is middle. For edge stitching or sewing parallel lines of top stitch, select needle position left or right. For twin needle stitching, needle position is middle.

- a. Straight
- b. Zig-zag

- L. Left Needle Position
- M. Middle Needle Position
- R. Right Needle Position



Stitch Width Dial & Stitch Length Dial

Function of stitch width dial

The maximum zigzag stitch width for zigzag stitching is 6mm; however, the width can be reduced on any patterns. The width increases as you move zigzag dial from "0 - 6". (1)

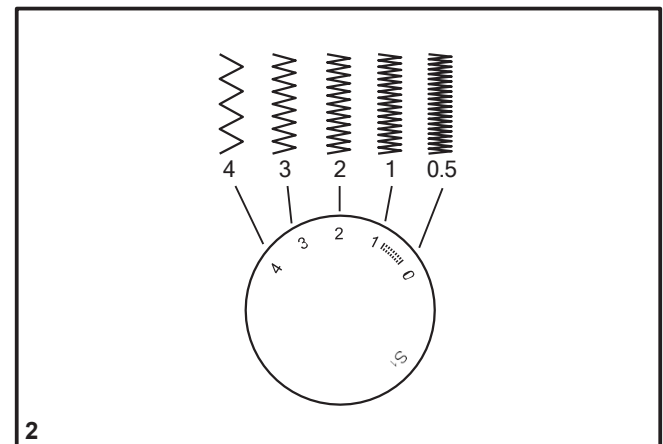
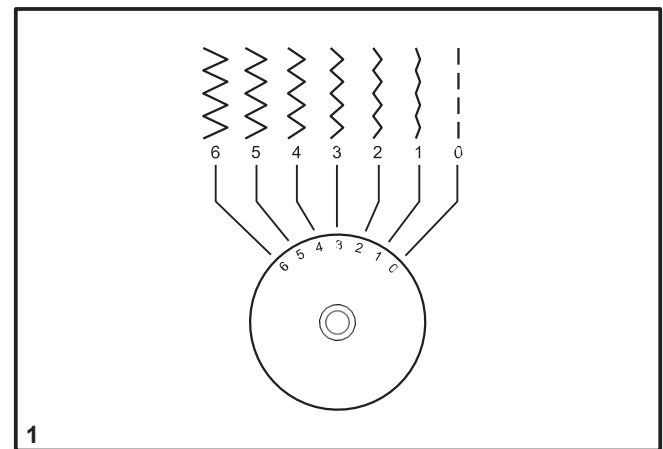
Function of stitch length dial while zig-zag stitching

Set the Pattern Selector Dial to zig-zag.

The density of zig-zag stitches increase as the setting of stitch length dial approaches "0".

Standard zigzag stitches are usually achieved at "3" or below. (2)

Dense zig-zag stitches are called satin stitches. (2)



Function of stitch length dial for when straight stitching

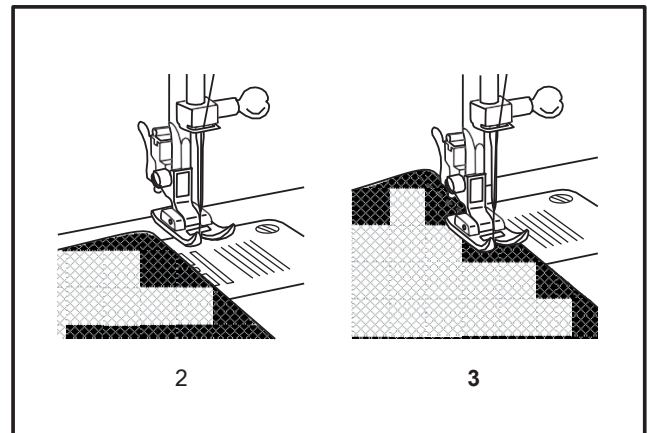
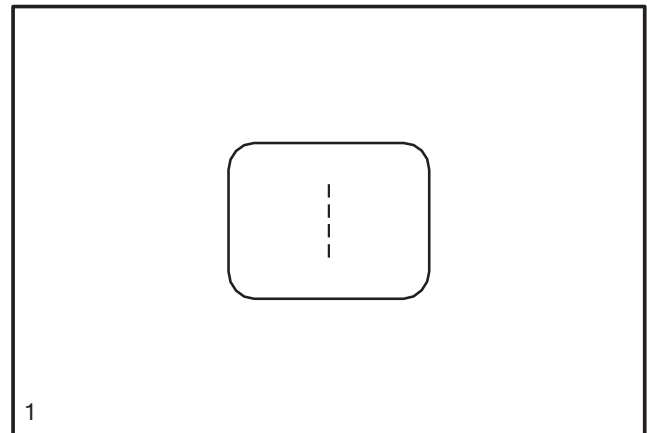
For straight stitch sewing, turn the Pattern Selector Dial to the straight stitch setting. Turn the Stitch Length Dial, and the length of the individual stitches will decrease as the dial approaches "0". The length of the individual stitches will increase as the dial approaches "4". Generally speaking, use a longer stitch length when sewing heavier weight fabrics or when using a thicker needle or thread. Use a shorter stitch length when sewing lighter weight fabrics or when using a finer needle or thread.

Sewing Straight Stitch

To begin sewing, set the machine for straight stitch. (1)

Place the fabric under the presser foot with the fabric edge lined up with the desired seam guide line on the needle plate. (2)

Lower the presser foot lifter, and then step on the foot controller to start sewing. (3)

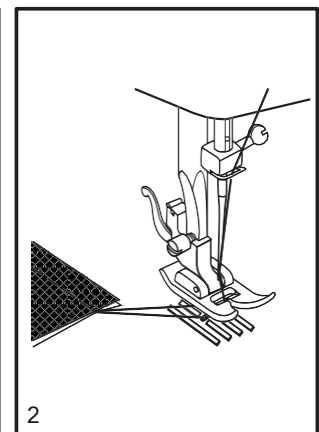
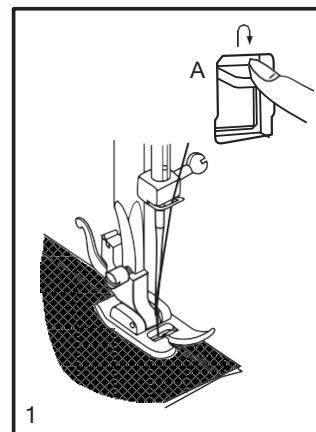


Reverse Sewing

To secure the beginning and the end of a seam, press down the reverse sewing lever (A). Sew a few reverse stitches. Release the lever and the machine will sew forward again. (1)

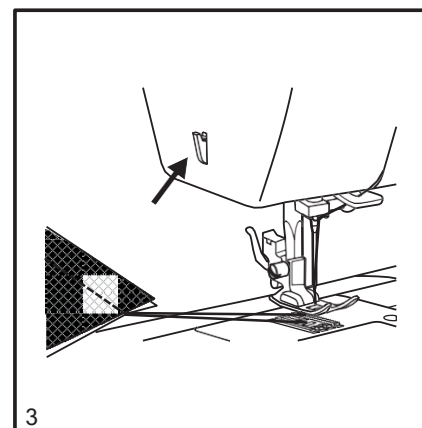
Removing the Work

Turn the handwheel toward you (counterclockwise) to bring the thread take-up lever to its highest position, raise the presser foot and remove work behind the needle and presser foot. (2)



Cutting the Thread

Pull the threads under and behind the presser foot. Guide the threads to the side of the face plate and into thread cutter (B). Pull threads down to cut. (3)



Choosing Stretch Stitch Patterns

The Stretch Stitch Patterns are indicated with a blue color on the Pattern Selector Dial. To select these stitches, turn the Pattern Selector Dial to the desired pattern. Then, turn the Stitch Length Dial to the indicator marked "S1". Though there are several stretch patterns, here are two examples:

Straight Stretch Stitch(1)

Set the Pattern Selector Dial to "|||"

Used to add triple reinforcement to stretch and hardwearing seams.

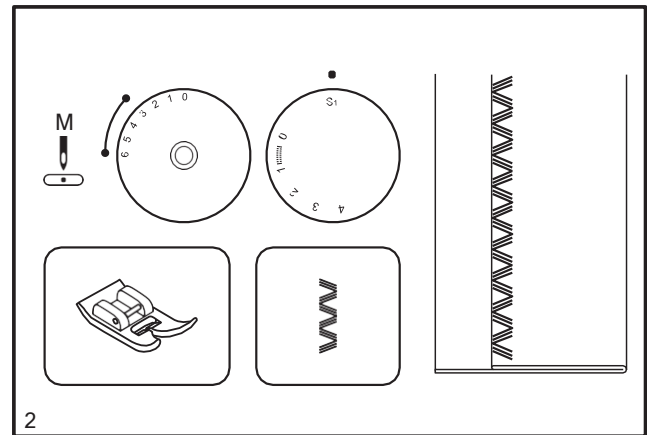
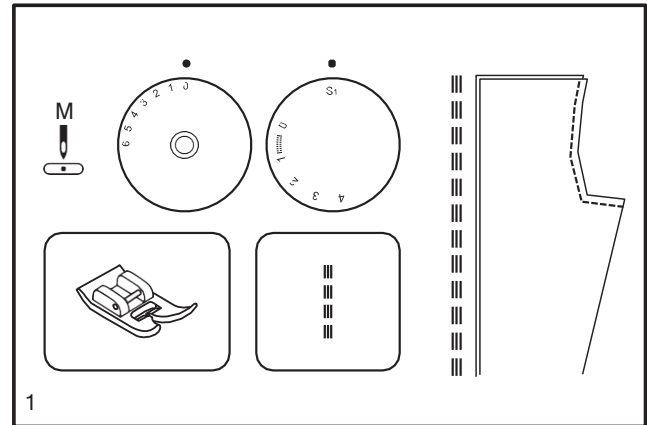
The machine sews two stitches forward and one stitch backwards.

Ric Rac(2)

Set the Pattern Selector Dial to "w"

Adjust the Stitch Width Dial to between "3" and "6"

Ric Rac Stitch is suitable for firm fabrics like denim, corduroy, poplin, duck, etc.



Blind Hem

For hems on curtains, trousers, skirts, etc.

..... Blind hem for stretch fabrics.

..... Blind hem for firm fabrics.

Set the Stitch Length Dial with the range shown on the diagram at the right. Blind hems, however, are normally sewn with a longer stitch length setting. Set the Stitch Width Dial at a setting appropriate for the weight/type of fabric being sewn, with in the range shown in the diagram on the right of the page. Generally, a narrower stitch is used for lighter weight fabrics, and a wider stitch is used for heavier weight fabrics. Sew a test first to make sure the machine settings are appropriate for the fabric.

Blind Hem:

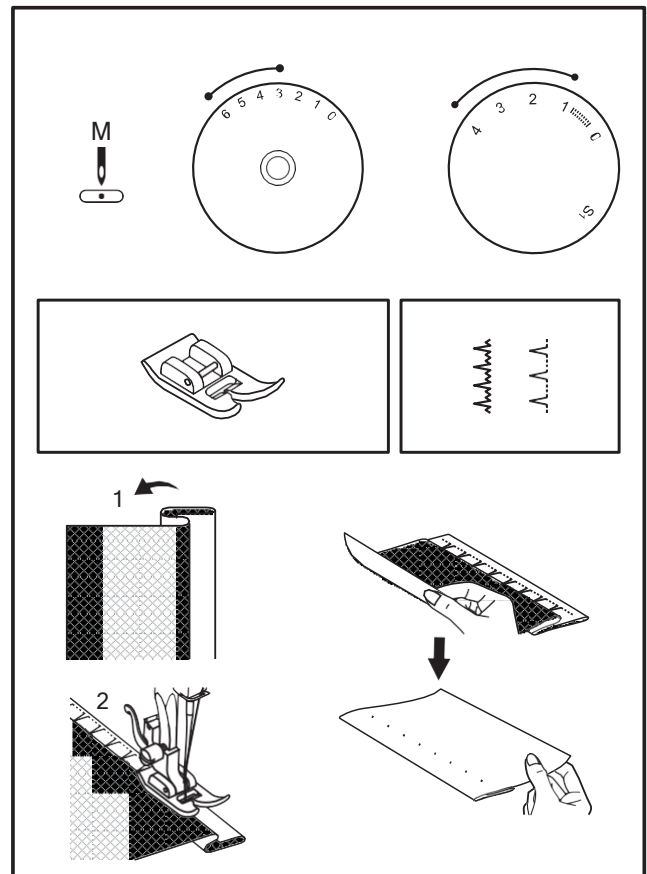
Turn up the hem to the desired width and press. Fold back (as shown in Fig. 1) against the right side of the fabric with the top edge of the hem extending about 7 mm (1/4") to the right side of the folded fabric.

Start to sew slowly on the fold, making sure the needle touches slightly the folded top to catch one or two fabric threads.(2)

Unfold the fabric when hemming is completed and press.

Note:

To make blind hem sewing even easier, use a blind hem foot.



Sew 1-step Buttonholes

Buttonhole sewing is a simple process that provides reliable results. However, it is strongly suggested to always make a practice buttonhole on a sample of your fabric and stabilizer.

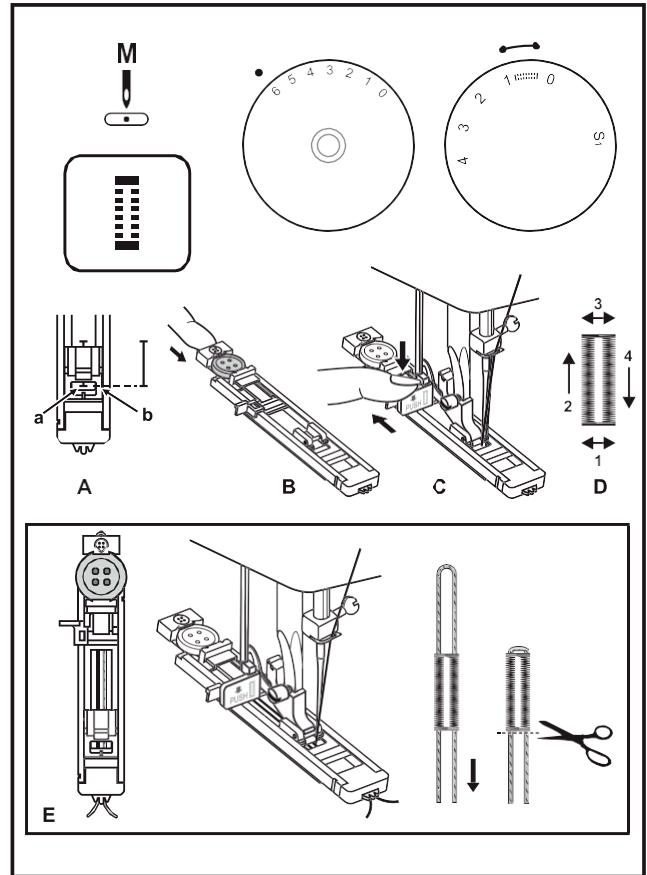
Making a Buttonhole

1. Using tailor's chalk, mark the position of the buttonhole on the fabric.
2. Attach the buttonhole foot and set the Pattern Selector Dial to "1". Set stitch length dial to "10". Set the stitch width at "6". The width however may need to be adjusted according to the project. Sew a test first to determine this.
3. Lower the presser foot aligning the marks on foot with the marks on the fabric (A). (The front bar tack will be sewn first.) (Align the mark on the fabric (a) with the mark on the foot(b).)
4. Open the button plate and insert the button (B).
5. Lower the buttonhole lever and gently push it back (C).
6. While lightly holding the upper thread, start the machine.
7. Buttonhole stitching is done in the order (D).
8. Stop the machine when the buttonhole cycle has completed.

Making a Buttonhole on Stretch Fabrics(E)

When sewing buttonholes on stretch fabric, hook heavy thread or cord under the buttonhole foot. When the buttonhole is sewn the legs will overcast the cord.

1. Mark the position of the buttonhole on the fabric with the tailor's chalk, attach the buttonhole foot, and set the pattern selector dial to "1". Set stitch length dial to "10".
2. Hook the heavy thread onto the back end of the buttonhole foot, then bring the two heavy thread ends to the front of the foot, insert them into the grooves and temporarily tie them there.
3. Lower the presser foot and start sewing. *Set the stitch width to match the diameter of the gimp thread.
4. Once sewing is completed, gently pull the heavy thread to remove any slack, then trim off the excess.



Left and Right Side Balance for Buttonhole

Stitch density on right and left sides of buttonhole can be adjusted by buttonhole balance control dial.

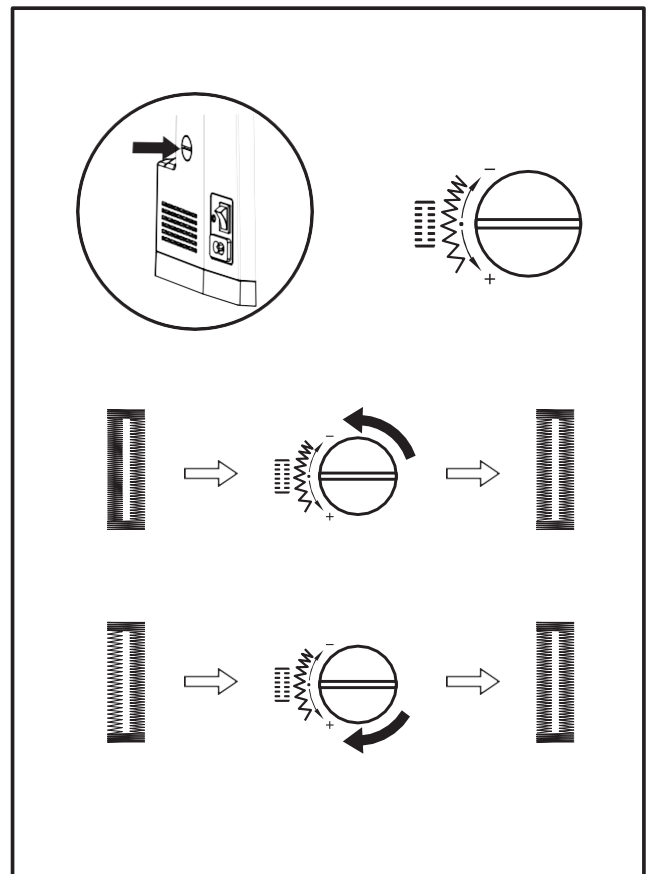
This dial should usually be in a neutral position (between "+" and "-")

If the stitches on the left side of buttonhole are too close together, turn the dial to the left(+).

*Turning dial to the left opens left side.

If the stitches on the left side of the buttonhole are too open, turn the dial to the right(-).

*Turning dial to right closes left side.



Sewing on Buttons

Move the drop feed control to right side to lower the feed dogs. (1)

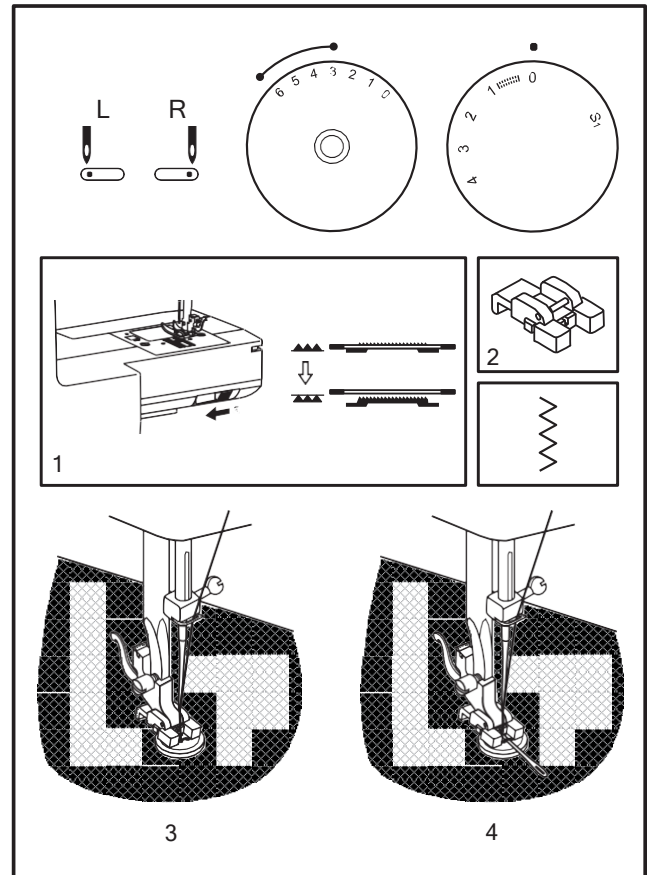
Change the all purpose foot to the button sewing foot. (2)
Set the stitch length to "0".

Place the button and fabric under the Button Sewing foot, as illustrated in (3).

Set the machine for zig-zag stitch, then set the width to number "3" - "6". Turn the handwheel to check that the needle goes cleanly into the left and right holes of the button. Adjust the stitch width, as needed, according to the distance between the holes of the button. Slowly sew on the button with about 10 stitches.

Raise the needle out of the fabric. Set the machine for straight stitch again, then sew a few securing stitches to finish.

If a shank is required, place a darning needle on top of the button and sew. For buttons with 4 holes, sew through the front two holes first, push the work forward and then sew through the back two holes.

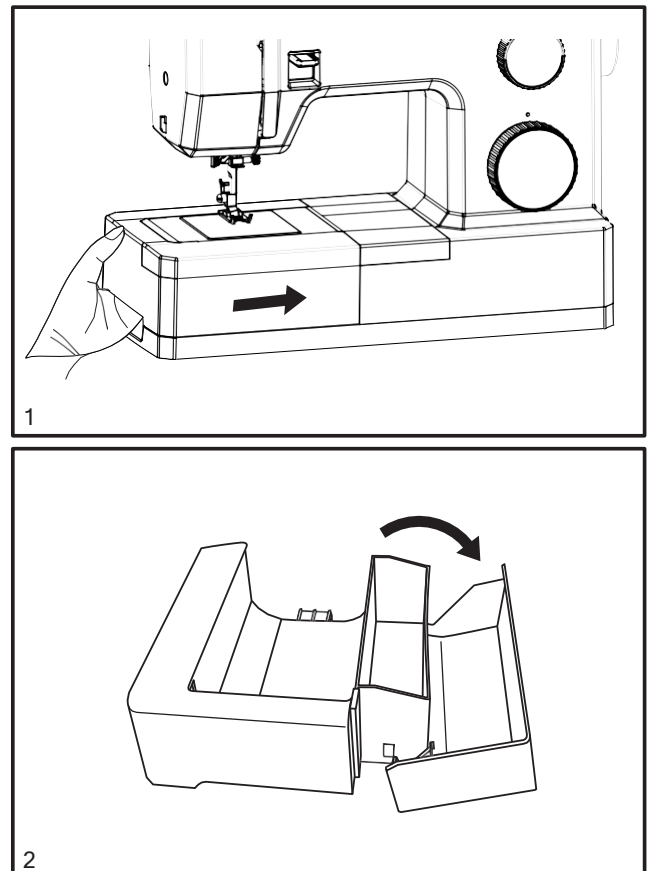


Installing the Accessory box

Hold the accessory box horizontally, and push it in the direction of the arrow. (1)

To remove the accessory box, pull it toward the left.

To open the accessory box, flip cover down as shown. (2)



Attaching the Presser Foot Shank

Raise the presser bar (a) with the presser foot lifter. Attach the presser foot shank (b) as illustrated. (1)

Attaching the presser foot

Lower the presser foot shank (b) using the presser foot lifter, until the cut-out (c) is directly above the pin (d). (2) The presser foot (f) will engage automatically.

Removing the presser foot

Raise the presser foot using the presser foot lifter. (3)

Raise the lever (e) and the foot disengages.

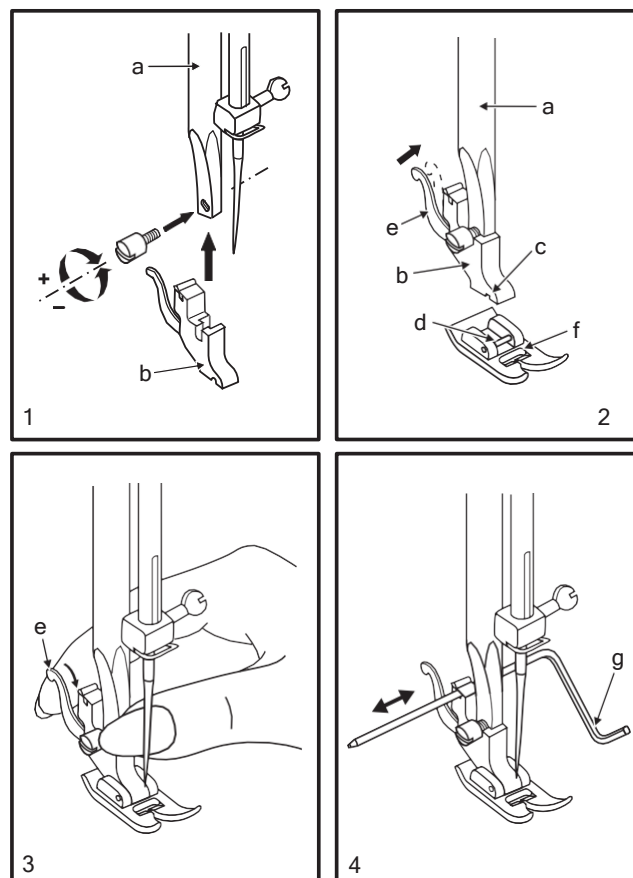
Attaching the edge/ quilting guide

Attach the edge/ quilting guide (g) in the slot as illustrated.

Adjust as needed for hems, pleats, quilting, etc. (4)

Attention:

Turn power switch to off ("O") when carrying out any of the above operations!



Needle/Fabric/ Thread Chart

NEEDLE, FABRIC, THREAD SELECTION GUIDE

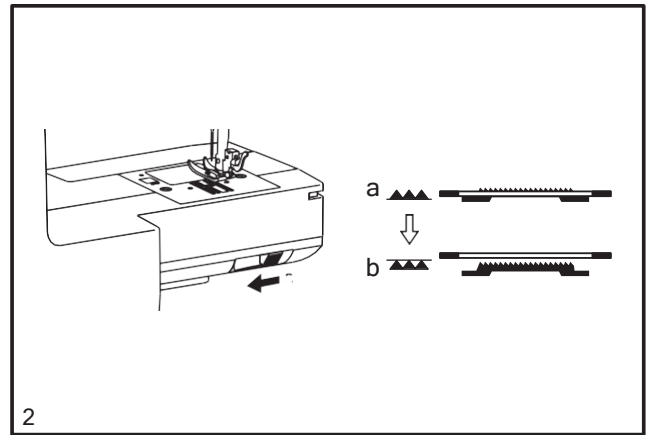
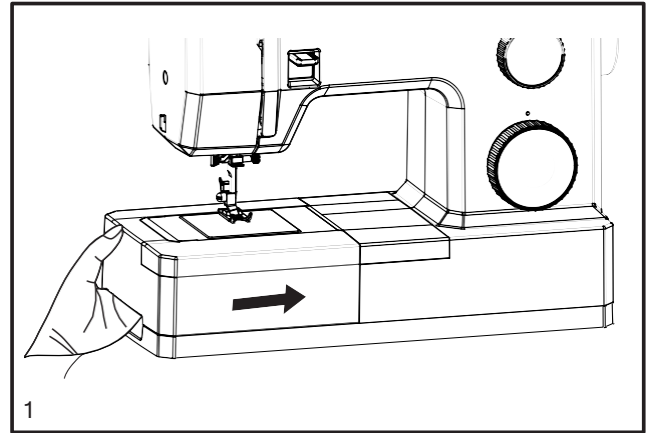
NEEDLE SIZE	FABRICS	THREAD
9(70)-11(80)	Lightweight fabrics-thin cottons, voile, silk, muslin, silk fabric, cotton knits, tricots, jerseys, crepes, woven polyester, shirt & blouse fabrics	Light-duty thread in cotton, nylon, polyester or cotton wrapped polyester.
11(80)-14(90)	Medium weight fabrics-cotton, satin, kettlecloth, sailcloth, double knits, lightweight woolens.	Most threads sold are medium size and suitable for these fabrics and needle sizes. Use polyester threads on synthetic materials and cotton on natural woven fabrics for best results. Always use the same thread on top and bottom.
14(90)	Medium weight fabrics-cotton duck, woolen, heavier knits, terrycloth, denims.	
16(100)	Heavy weight fabrics-canvas, woolens, outdoor tent and quilted fabrics, denims, upholstery material (light to medium).	
18(110)	Heavy woolen, overcoat fabrics, upholstery fabrics, some leathers and vinyls.	Heavy duty thread, carpet thread.

IMPORTANT: Match needle size to thread size and weight of fabric.

How To Drop Feed Dog

For ordinary sewing, keep the feed dog up, for freehand embroidery, sewing on buttons and darning, drop the feed dog.

To raise (a) and lower (b) feed dog. (2)



Inserting & Changing Needles

Change the needle regularly, especially if it is showing signs of wear and causing problems.

Insert the needle as illustrated as follows:

- A. Loosen the needle clamp screw and tighten again after inserting the new needle.(1)
- B. The flat side of the shaft should be towards the back.
- C/D. Insert the needle as far up as it will go.

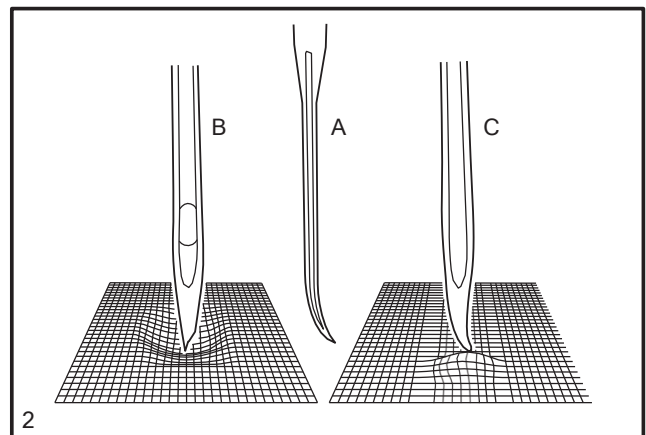
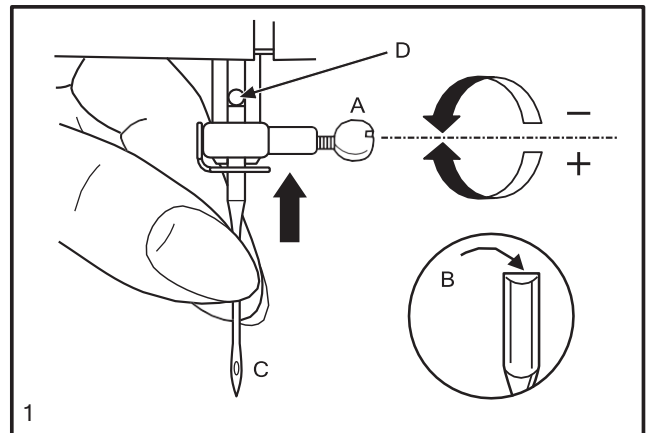
Attention:

Turn power switch to off ("O") before inserting or removing the needle.

Needles must be in perfect condition.(2)

Problems can occur with:

- A. Bent needles
- B. Damaged points
- C. Blunt needles



Troubleshooting Guide

Problem	Cause	Correction
Upper thread breaks	<ol style="list-style-type: none">1. The machine is not threaded correctly.2. The thread tension is too tight.3. The thread is too thick for the needle.4. The needle is not inserted correctly.5. The thread is wound around the spool holder pin.6. The needle is damaged.	<ol style="list-style-type: none">1. Rethread the machine.2. Reduce the thread tension.(lower number)3. Select a larger needle.4. Remove and reinsert the needle. (flat side towards the back)5. Remove the reel and wind thread onto reel.6. Replace the needle.
Lower thread breaks	The bobbin case is threaded wrong.	Remove bobbin from bobbin case. Reinsert and rethread bobbin correctly.Pull on the thread. The thread should pull easily.
Skipped stitches	<ol style="list-style-type: none">1.The needle is not inserted correctly.2. The needle is damaged.3. The wrong size needle has been used.4. The foot is not attached correctly.	<ol style="list-style-type: none">1. Remove and reinsert needle. (flat side towards the back)2. Insert a new needle.3. Choose a needle to suit the thread and fabric.4. Check and attach correctly.
Needle breaks	<ol style="list-style-type: none">1.The needle is damaged.2. The needle is not correctly inserted.3. Wrong needle size for the fabric.4. The wrong foot is attached.	<ol style="list-style-type: none">1. Insert a new needle.2. Insert the needle correctly. (flat side towards the back)3. Choose a needle to suit the thread and fabric.4. Select the correct foot.
Loose stitches	<ol style="list-style-type: none">1. The machine is not correctly threaded.2. The bobbin case is not correctly threaded.3. Needle/fabric/thread combination is wrong.4. Thread tension wrong.	<ol style="list-style-type: none">1. Check the threading.2. Thread the bobbin case as illustrated.3. The needle size must suit the fabric and thread.4. Correct the thread tension.
Seams gather or pucker	<ol style="list-style-type: none">1. The needle is too thick for the fabric.2. The stitch length is adjusted wrong.3. The thread tension is too tight.	<ol style="list-style-type: none">1. Select a finer needle.2. Readjust the stitch length.3. Loosen the thread tension.
Uneven stitches, uneven feed	<ol style="list-style-type: none">1. Poor quality thread.2. The bobbin case is threaded wrong.3. Fabric has been pulled.	<ol style="list-style-type: none">1. Select a better quality thread.2. Remove bobbin from bobbin case. Reinsert and rethread bobbin correctly.3. Do not pull on the fabric while sewing. Let the feed dogs pull the fabric under the foot.
The machine is noisy	<ol style="list-style-type: none">1. Lint or oil have collected on the hook or needle bar.2. The needle is damaged.	<ol style="list-style-type: none">1. Clean the hook and feed dog as described.2. Replace the needle.
The machine jams	Thread is caught in the hook.	Remove the upper thread. Gently rock the handwheel backward and forward by hand and remove the thread from the bobbin area. Rethread the upper thread.

